

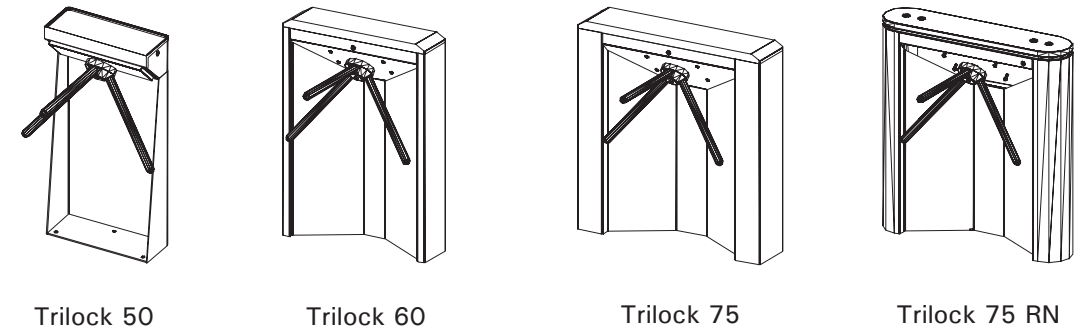
Instruction Card

Trilock 50 / 60 / 75

With fixed and collapsible push bars

Maintenance

- Caution!** Caution using water near the units and control boxes.
- Warning!** Switch the power supply off before carrying out any maintenance and / or other work on the Trilock.
- Daily:** Check daily the functionality of the Trilock.
- Weekly:** Clean stainless steel and/or powder coated surfaces with a damp cloth.
- Monthly:** Clean stainless steel and/or powder coated surfaces with a damp cloth and soft soap.
- Annually:** The Trilock should be serviced once a year. Always have this carried out by a Boon Edam approved dealer. The same applies to repairs.



Safety and operational instructions Maintenance

Explanation of the symbols

- | | | | |
|--|---|--|--|
| | Push bar locked | | Card or ticket reader authorisation |
| | Push bar free to use | | Pushbutton authorisation |
| | Fixed / collapsible push bar unlocked, free access | | Token authorisation |
| | No power supply | | No access |
| | Power supply | | Authorised access |
| | Counter function | | Action after 4 seconds or adjustable (1 to 25 seconds) |
| | Push bar can be used in two directions, free access | | |

Dealer:

For further information: consult the operating manual.

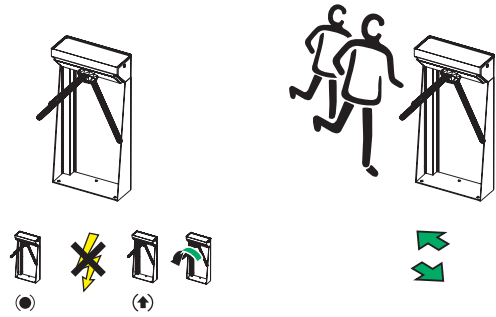


Test the emergency and safety devices every day and check that the Trilock is generally working properly !

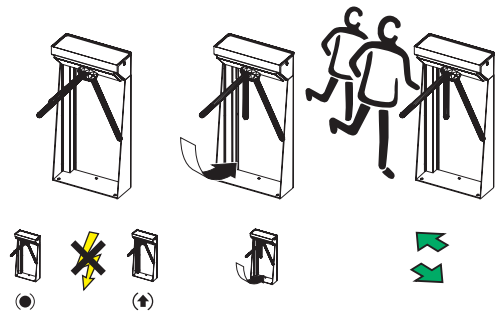
Safety and operational instructions

A Safety devices

1a. Fail-safe, rigid push bar

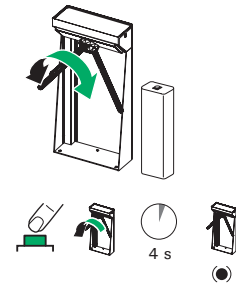


1b. Fail-safe, collapsible push bar

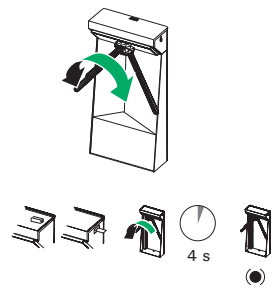


B Authorisation systems (optional)

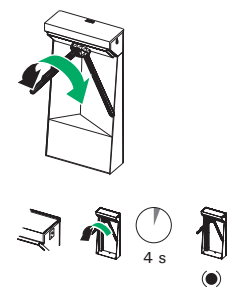
1 Pushbutton control panel on unit (or console)



2 Card or ticket reader system on unit

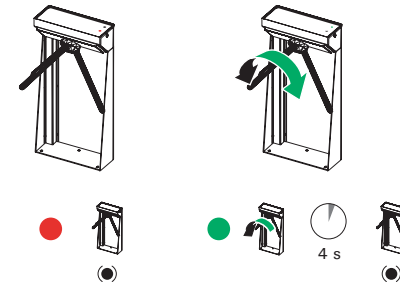


3 Token system on unit



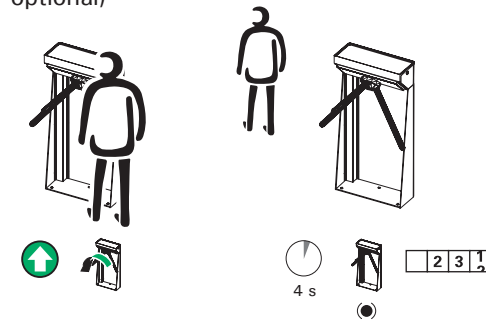
C User feedback

1 Indicator lights on unit

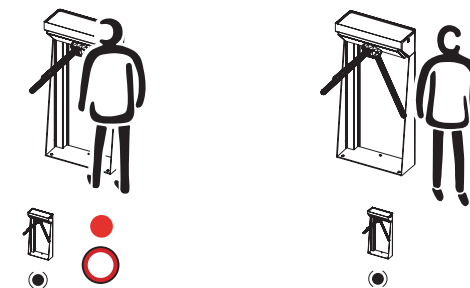


D Working principles

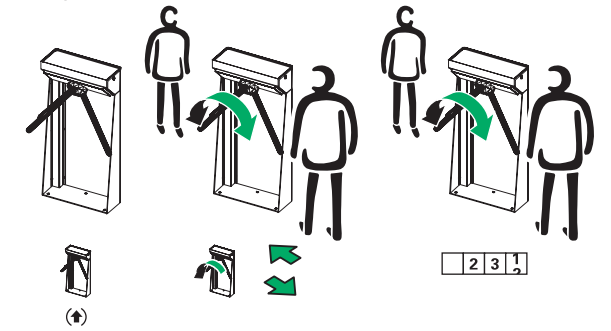
1 Authorised access: one authorised user may pass (15-20 passages/min., counter function optional)



2 Entrance closed, no access possible



3a Free access, rigid push bars (counter function optional)



3b Free access, collapsible push bars

